

Ensure the yellow silicon is sitting parallel on the hole below it. Hold at eye level to check the position is correct

Ensuring that the AQUAvalve floods and drains correctly

- 1 Making sure your AQUAvalve floods and drains correctly is simply achieved and only takes a few seconds.
- 2 Hold the AQUAvalve at eye level so that you can see the yellow silicon fitted to the top float resting on the hole below it.
- 3 The yellow silicon must create a tight seal when touching the hole.
- 4 If it looks like it is not sitting parallel on the hole below, simply lift the top float and apply pressure to one side of the yellow silicon, drop the float and hold at eye level again. Repeat the procedure if necessary.

Care and maintenance

- 1 At the end of your growing season, clean the AQUAvalve using warm soapy water. Using an old tooth brush will help.

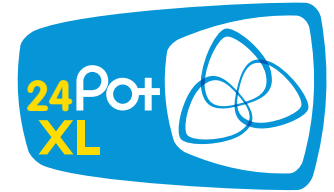
The AQUAvalve is easily disassembled. The top float will slide all the way across and the bottom float is unclipped from its pivoting position. The circular discs fitted to the top float can also be removed by using pliers to grip the raised point.

At this point it is advisable to remove the yellow silicones to avoid them being lost.
- 2 It is also handy to have a paper clip or pipe cleaner to hand so that you can push it through the AQUAvalve nozzle, this will remove any lime scale build up that may have occurred during the growing season.

Blowing through the AQUAvalve nozzle will also help to remove any build up. Do not under any circumstances use a drill & drill bit to clear the AQUAvalve nozzle.

This will potentially damage the AQUAvalve beyond repair.

Your 24Pot XL system set-up guidelines



Allow your plants to establish before turning your system on.



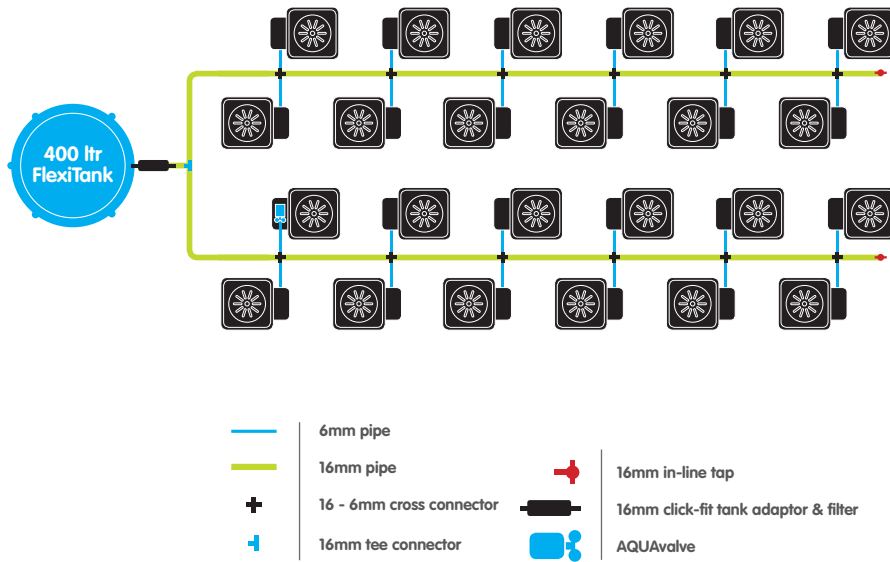
Trays & Pots available in black

24Pot XL system contents

- 1x 400 ltr FlexiTank or rigid green 350 ltr tank
- 1x 16mm click-fit tank adaptor & filter
- 1x 10 metres of 16mm pipe
- 2x 16mm in-line tap
- 1x 16mm tee connector
- 12x 16mm-6mm cross connector
- 24x 1Pot XL trays & lids
- 24x 25ltr pot
- 24x AQUAvalve
- 1x 12 metres of 6mm pipe
- 24x root control disc

Plan views and options

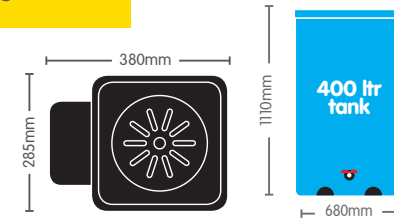
Suggested layout



Advice

- Pot up your plants, water through, then allow your plants to establish in the pots for a period of 7 to 10 days before turning your system on. This will encourage a stronger and healthier root system.
- Always raise your tank to a minimum of 150mm above the highest AQUAvalve and re-fill the tank when there is approximately a 1/3 of the solution left - NEVER ALLOW THE TANK TO RUN EMPTY.
- For best results, we recommend mineral fertilisers. Do not use organic fertilisers, as they have a tendency to block small pipe work.
- Clean all substrate from the bottom and sides of the pots before placing in each tray. This will ensure your system is clean from the start.
- Always use free draining substrates, for example: soil/perlite, coco/perlite, soil/clay pebbles, coco/clay pebbles, rockwool/clay pebbles.

1Pot XL dimensions



1Pot XL setup instructions

1



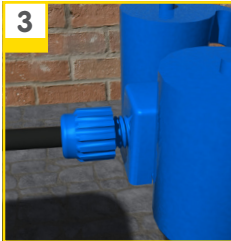
Place circular root control disc gold face down in the pot.

2



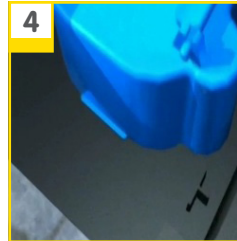
Fill pot with medium and pot up plants.
Water through pot and allow to drain outside the tray.

3



Remove collar.
Push 6mm pipe through collar and attach to AQUAvalve nozzle.
Rescrew collar - **DON'T overturn...** when you feel it grip **STOP**.

4



Connect AQUAvalve so 'half moon' is on T section in the tray.

5



Position tray so it is level.

6



Cut 6mm/16mm pipe to appropriate length

7



According to the size of your system connect your 6mm/16mm pipe to relevant fitting or tank...

8



Place pot in the tray, make sure it is **CLEAN!**
Place lid over valve onto tray.

Using your front instruction sheet, repeat the module set up instructions for the number of trays.

Allow your plants to establish for 7-10 days before turning system on

Advice

If you require any guidance email - mail@autopot.co.uk