

RVK 125E2-L SILEO 1PH/230V

Item no. 30331

Version: 50 Hz

Document type: **Product card**

Document date: **2017-01-23**

Generated by: **Systemair Online Catalogue**



Description

- Speed-controllable
- Integral thermal contacts acc. EN 60335-2-80
- Can be installed in any position
- Inclusive mounting bracket
- Maintenance-free and reliable

The RVK sileo series is designed for installation in ducts. The casing is manufactured from PP fibreglass reinforced plastic which gives the fan a less leakage casing. Duct connected wet room applications of the fan are possible due to the air tight casing and the IP 44 rated terminal box. We recommend a period of continued ventilation with dry air for wet room applications. The fans have high effective backward-curved blades (* BAT with special geometry) and external rotor motors. The FK mounting clamp facilitates easy installation and removal, and prevents the transfer of vibration to the duct. The fans can be speed-controlled via a stepless thyristor or a 5-step transformer. To protect the motor from overheating the models have integrated thermal contacts with manual reset.

* BAT = Best Available Technology



Technical parameters

Nominal data		
Voltage	230	V
Frequency	50	Hz
Phase	1	~
Input power (P1)	58,8	W
Current	0,257	A
Max. airflow	323	m ³ /h
Fan impeller speed	2494	r.p.m.
Capacitor	2	µF
Weight	2,2	kg
Temperature data		
Max. temperature of transported air	70	°C
Max. temperature of transported air when voltage-controlled	70	°C
Sound data		
Sound pressure level at 3 m (20m ² Sabin)	43	dB(A)
Protection / Classification		

Insulation class	B
Enclosure class, motor	IP44 IP
ErP	
Energy class, basic unit	E
Energy class, basic unit option	C
ErP ready	ErP 2016/ErP 2018

Eco design

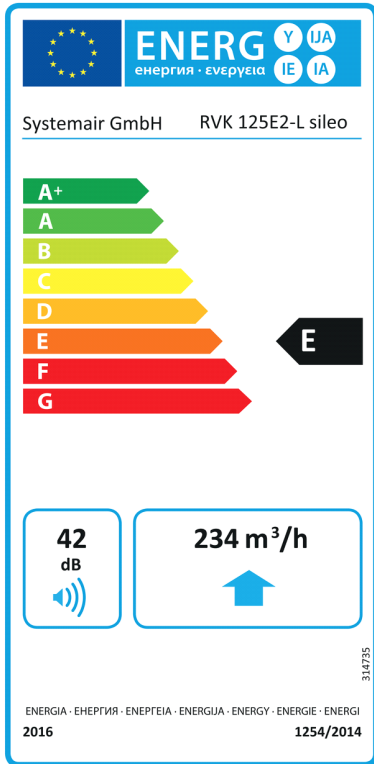
Units with local demand control	
Trade name	Systemair
Product name	RVK 125E2-L sileo 1ph/230V
ErP compliance	2018
SEC Average	-25,7 kWh/ (m ² .a)
SEC Cold	-52,7 kWh/ (m ² .a)
SEC Warm	-10,2 kWh/ (m ² .a)
SEC Class	C
Unit category	RVU
Unit type	UVU
Drive	External MSD or VSD
Heat recovery type	None
Temperature ratio (UVU)	Not applicable
External Leakage	5 %
Sound power	42 dB(A)
qv max	234 m ³ /h
P max	57 W
qv ref	194 m ³ /h
Ps ref	50 Pa
SPI	0,574 kW/ (m ³ /s)
CTRL	0,65 -
MISC	1,1 -
x-value	1,5 -
AEC average	105 kWh
AEC cold	105 kWh
AEC warm	105 kWh
AHS Average	2830 kWh/a
AHS Cold	5536 kWh/a
AHS Warm	1280 kWh/a

Basic unit	
Trade name	Systemair
Product name	RVK 125E2-L sileo 1ph/230V

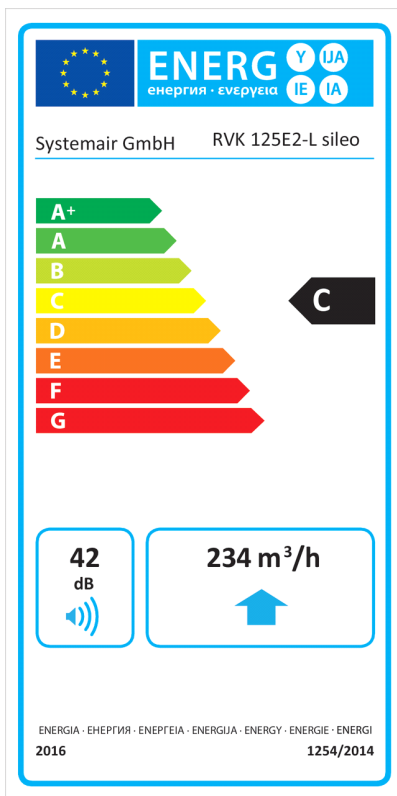
ErP compliance	2016	
SEC Average	-12,2	kWh/ (m ² .a)
SEC Cold	-28,6	kWh/ (m ² .a)
SEC Warm	-2,76	kWh/ (m ² .a)
SEC Class	E	
Unit category	RVU	
Unit type	UVU	
Drive	External MSD or VSD	
Heat recovery type	None	
Temperature ratio (UVU)	Not applicable	
qv max	234	m ³ /h
P max	57	W
Sound power	42	dB(A)
qv ref	194	m ³ /h
Ps ref	50	Pa
SPI	0,574	kW/ (m ³ /s)
CTRL	1	-
MISC	1,1	-
x-value	1,5	-
External Leakage	5	%
AEC average	200	kWh
AEC cold	200	kWh
AEC warm	200	kWh
AHS Average	1715	kWh/a
AHS Cold	3355	kWh/a
AHS Warm	776	kWh/a

Energy class label

Energy class, basic unit



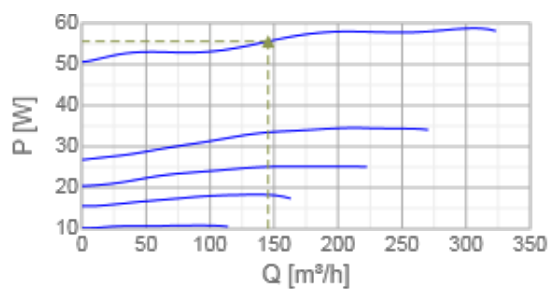
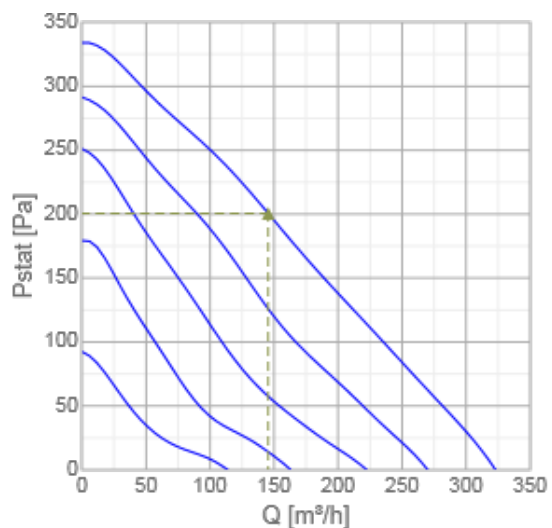
Energy class, unit with local demand control



EPS diagrams

Performance

Diagrams



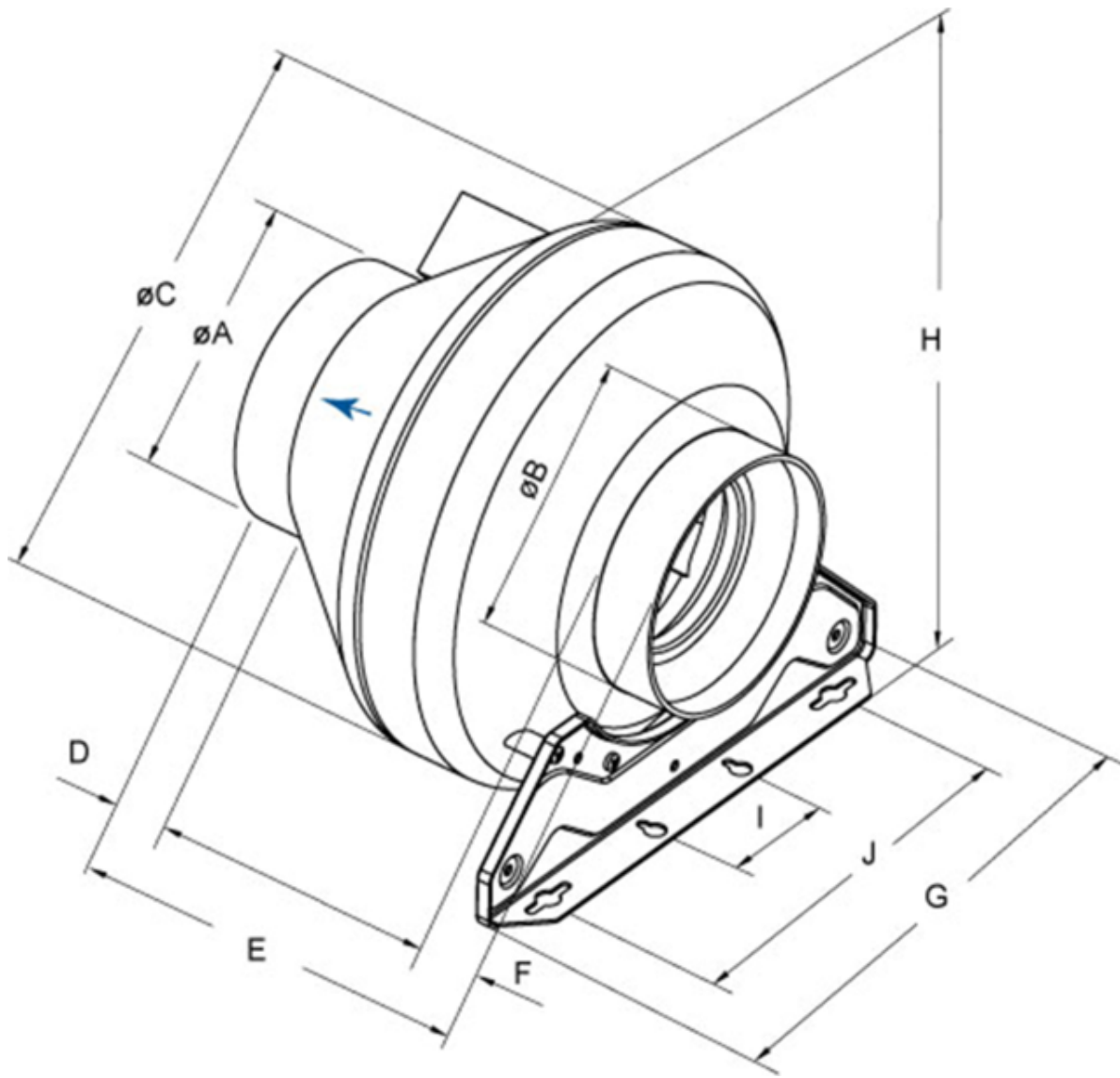
Hydraulic data

	Working point						
	Q [m³/h]	Ps [Pa]	P [W]	n [r.p.m.]	I [A]	SFP [kW/(m³/s)]	U [V]
Max efficiency	145	201	55,6	2551	0,246	1,38	230

Acoustic data

Sound power level		63	125	250	500	1k	2k	4k	8k	Tot
Inlet	dB(A)	45	58	63	62	60	57	51	41	68
Outlet	dB(A)	52	58	62	61	57	54	49	39	67
Surrounding	dB(A)	12	25	32	43	46	46	36	24	50

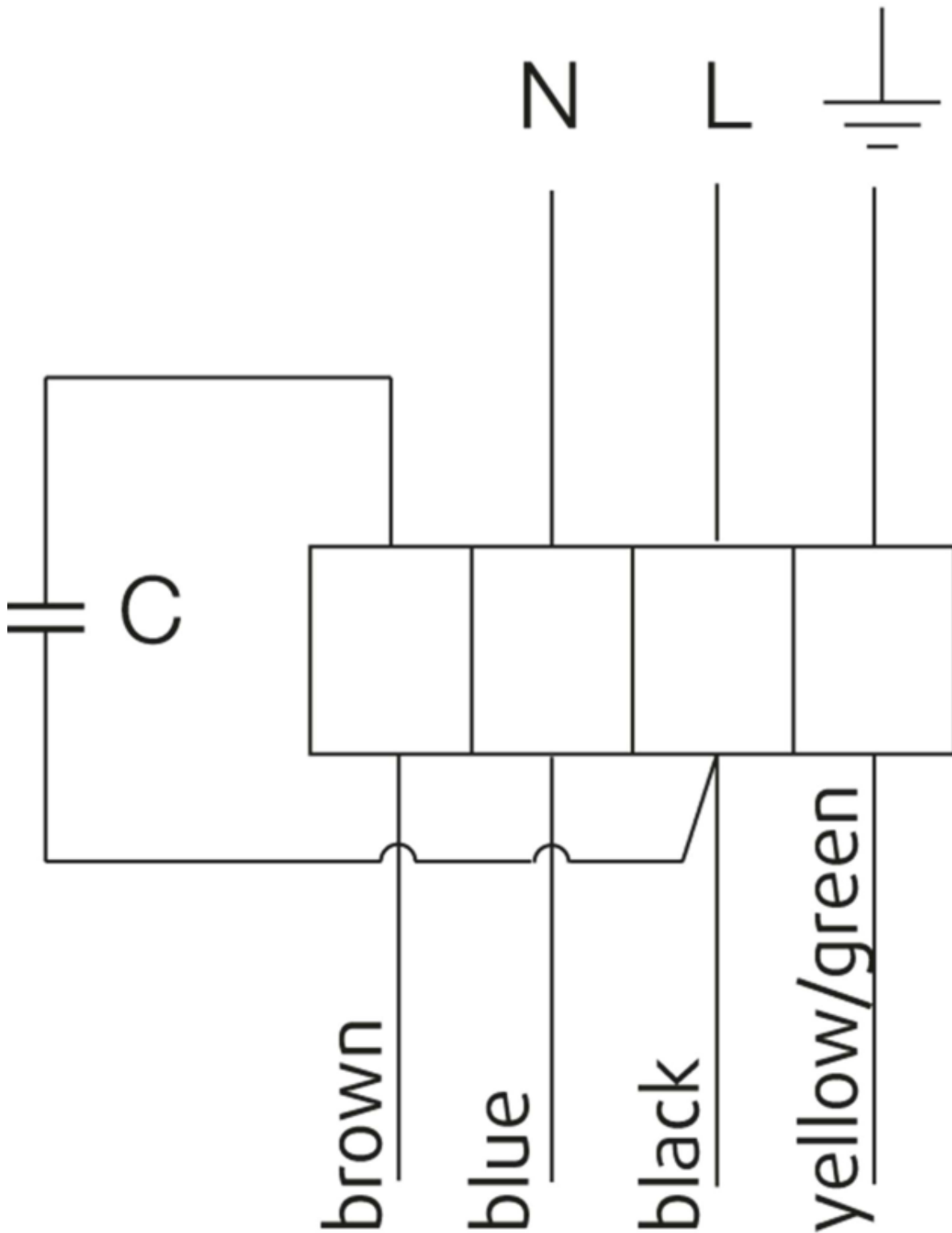
Dimensions



	øA	øB	øC	D	E	F	G	H	I	J
RVK 125	124	124	251	30	233	30	272	265	60	200

Wiring

230V 1~



Accessories

Electric accessories


- RE 1,5 Speed control (5000)
- REU 1.5 Speed control (5004)
- REE 1 Speed control (5314)
- REV-3POL/03 ON/OFF (33978)


FRQS-E-6A (37419)
FRQ5S-E-6A (37421)


Accessories

CB 125-0,6 230V/1 Duct heater (5289)
CB 125-1,2 230V/1 Duct heater (5290)
CB 125-1,8 230V/1 Duct heater (5377)
CBM 125-1,2 230V/1 Duct heater (5480)
VBF 125 Water heating battery (1730)
CWK 125-3-2,5 Duct cooler,circ (30021)
VBC 125-2 Water heating batt (5457)
LDC 125-600 Silencer (5190)
LDC 125-900 Silencer (5191)
FFR 125 Filter cassette (1768)
FGR 125 Filter cassette G3 (1804)
FK 125 Fast clamp (1608)
VKK-125 Back draft damper (1624)
IGK-125 Wall Grid (1631)
RSK-125 Back draft damper (5598)
SG 125 Protection guard (5607)
VK-12 Louvre shutter (5638)
VBC 125-3 Water heating batt (9839)
IGC-LI-125 (37358)

Documentation

 imo_rvk_161107_de,en_004_314825_a5_web.pdf (1,91MB)

 PP compound (30% glass fibre content).pdf (133,21kB)

 ec-dec_rvk_160601_DE,GB_003_ab 20. April.pdf (549,54kB)

 rvk125_kpl.dxf (261,78kB)

Specification text

RVK 250E2-XL Circular duct fan made of plastic. DN 250, 230V/50Hz, 1~, plastic casing Circular duct fan for easy and direct installation in ducts. The casing is manufactured from polyamide with 10% glass fibre content. Circular connection spigot, length 25mm, acc. to EN1506:1997 Free-running, backward curved centrifugal impeller made of plastic. Balancing made to G 6.3, motor compl. with impeller statically and dynamically balanced in two planes acc. to DIN ISO 1940 T.1. Voltage controllable external rotor motor, maintenance-free, the motor is placed inside the air flow for cooling. Integral thermal contacts with manual reset acc. to EN 60335-2-80, speed-controlled via a 5-step transformer or a stepless thyristor. Silent, long-life ball bearings. Terminal box on the casing Mounting bracket included in delivery (unmounted). For indoor installation. Installation in any mounting position. PRODUCT: SYSTEMAIR TYPE: RVK 250E2-XL Item no. 30901