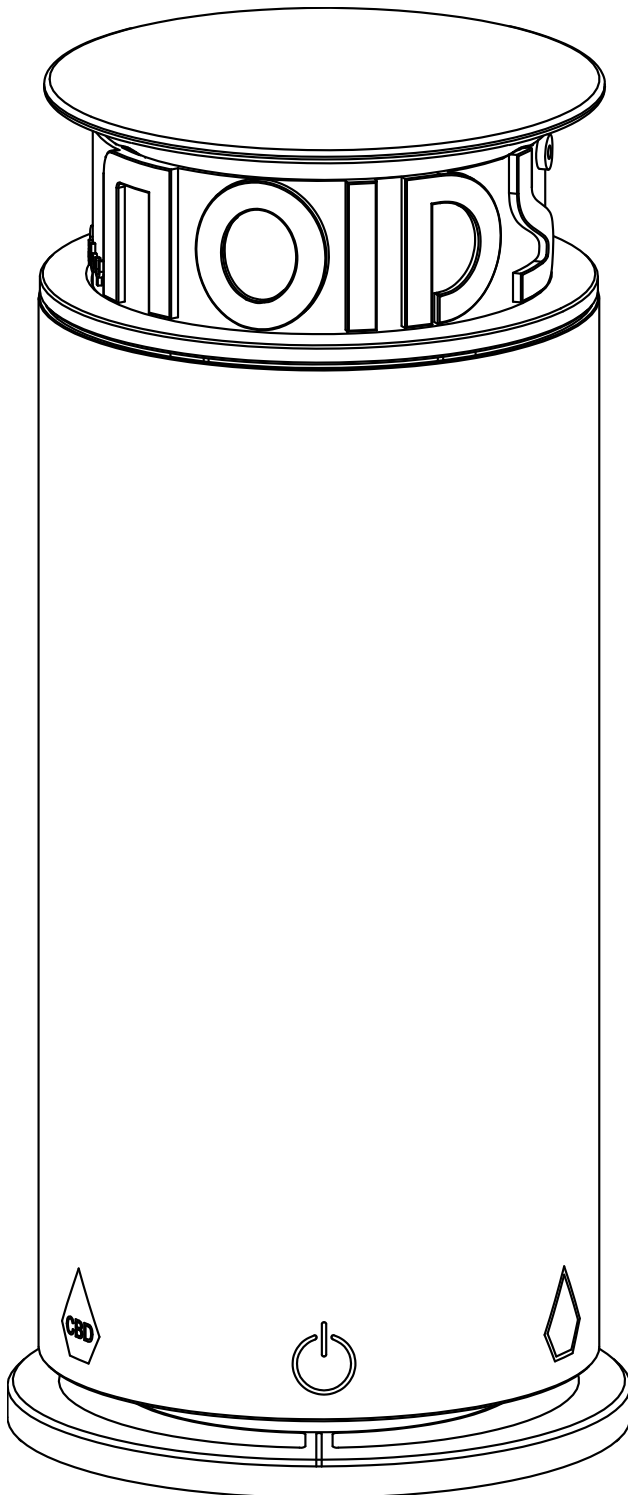


All-in-One Herb Cooker

POT by NOIDS

Model EXT2020



User Manual

For users of Pot by NOIDS

Read this manual carefully, it contains all the instructions for maintaining the appliance's functional qualities. For any further information please visit:

www.noids.green

CONTENTS

1. Instructions

1.1	Introduction	1
1.2	This user manual	1
1.3	Intended use	1
1.4	General safety instructions	1
1.5	For Pot by NOIDS I	2
1.6	Manufacturer liability	2
1.7	Identification plate	2
1.8	Disposal	2

2. Description

2.1	Product overview	3
2.2	Glass Set	3
2.3	Filter Set	3
2.4	Condenser	4
2.5	Main Body	4
2.6	Functions	5
2.7	Technical parameters and compliance	5

3. Use

3.1	Before first use	6
3.2	Operation - General	6
3.3	Operation - CBD Decarb & Decarb	6
3.4	Operation - CBD Oil & Oil	7
3.5	Operation - Filter the oil	7
3.6	Operation - Gather the remaining oil	7
3.7	Operation - Evaporation	8

4. Cleaning & Care

4.1	Instructions	9
4.2	Cleaning the surfaces	9
4.3	Ordinary daily cleaning	9
4.4	Food stains or residues	9
4.5	Cleaning the Glass	9
4.6	Cleaning the Filter Set	9

5. Troubleshooting

5.1	Before troubleshooting	10
5.2	What to do if... ..	10

The manufacturer reserves the right to make any changes deemed useful for improvement of this product without prior notice. The illustrations and descriptions contained in this manual are therefore not binding and are merely indicative.



1. Instructions

1.1 Introduction

Key information for the user:



General information on this user manual, on safety and final disposal



Description of the appliance and its accessories



Information on the use of the appliance and its accessories, cooking advice



Information for correct cleaning and care of the appliance



Information on what can go wrong and what can be done



Safety instructions



Information



User hints & tips

1.2 This user manual

This user manual is an integral part of the appliance and must therefore be kept in its entirety and within the user's reach for the whole working life of the appliance.

1.3 Intended use

- Use the appliance only indoors.
- This appliance has been designed exclusively for domestic use.
Do NOT use the appliance for commercial or any other purposes.
- This appliance has been designed and tested exclusively for herbs with medicinal properties.

Danger of poison



- Consumption of unknown or unidentified plants may lead to human intoxication, organ damage, and even death.
- Always consult a qualified physician for the potential risk before using any medicinal blossoms and herbs.

- Carefully follow the notes and suggestions provided in this user manual.
- Only use the appliance for (1) decarboxylation of plant material, (2) oil infusion using plant material, and (3) evaporation of liquid. Do NOT use the appliance for anything other than the intended use.
- If food or other substances were to come into contact with the heating elements, they may cause unpleasant odour and may damage the appliance.
- This appliance is not designed to operate with external timers.
- This appliance may not be used by children aged under 12 and by people of reduced physical and mental capacity, or lacking in experience in the use of electrical appliances. They must be supervised or instructed by adults or those who are responsible for their safety.
- Children must never play with the appliance. Keep the appliance out of children's reach.



All NOIDS products follow strict quality control procedures, including testing Based on random sampling. Such testing may leave some traces of use on a tested product.

1.4 General safety instructions

- Read this user manual carefully before using the appliance.
- Do NOT immerse the Main Body of the appliance, the power cord or the Base in water or any other liquid.
- Do NOT use the appliance when the power cord or the plug is damaged or when the appliance has fallen or is damaged in any manner.
- Do NOT place the appliance on or near a burning gas or an electrical stove or in a heated oven.
- The cord is short to prevent accidents. Do NOT use an extension cord.
- Do NOT let the power cord hang over the edge of a table or a worktop etc. where the appliance can be pulled down or fall.
- Switch off the appliance immediately after use.
- Do NOT modify this appliance.
- Do NOT operate on the appliance with wet hands.
- Always place the appliance on a flat, stable, heat-resistant worktop.
- If the power cord or the adaptor is damaged, stop using the appliance and contact technical support immediately.



- Do NOT try to repair the appliance yourself or without the intervention of a qualified engineer. In case of a fault, repairs should only be carried out by a qualified engineer.
- Please check the labelled voltage and make sure that the appliance is suitable for operating with the electricity supply system safely and efficiently.
- When Disconnecting the power cord from a socket, always pull the plug, not the cord.

1.5 For Pot by NOIDS I

- Do NOT touch the Glass without the Sleeve when the ventilation fan inside the cooker is operating, the content and the Glass can be very hot. Let the Glass cool down to safe temperature first.
- Do NOT touch the inner heating surface of the Main Body when the fan inside the cooker is operating, the inner heating surface can be very hot.

CAUTION: Hot Surface



The inner heating surface and the Glass content can be very hot during and immediately after operation.



The ventilation fan inside the Main Body keeps on working unless the temperature of the inner heating surface drops to 50 °C / 122 °F.

- Do NOT move the cooker when it is operating.
- Do NOT touch the Glass directly when it is hot.
- Do NOT filter before the Glass cools down to safe temperature. Hot oil or air may be ejected via the Spout.
- Do NOT place the Glass or the cooker directly on a hot surface or over open flame.
- Do NOT use the Glass in an oven or microwave oven.
- Do NOT heat the Glass on an induction cooker.
- Do NOT hit the Glass with hard objects, or manually drop the Glass from a height. If the Glass is cracked, stop using it immediately and contact our authorized distributor or NOIDS support team for replacement.
- Keep the cooker and the power cord away from heat, moisture, slippery surfaces and sharp edges.
- Do NOT replace the Glass with any unauthorized container. The matching NOIDS Glass has a highly sensitive built-in thermal sensor. Unauthorized container will not be recognized by the cooker.
- Electrical appliances may burn, do NOT use the cooker near or below combustible materials.
- ALWAYS remove the plug from the socket when the cooker is not in use or before cleaning.
- ALWAYS remove the plug from the socket when the cooker is not working properly.
- Make sure that the air around the cooker can circulate freely. Do NOT place anything on top of it.
- Make sure that the silicon Sleeve is properly put on the Glass during operation.

1.6 Manufacturer liability

The manufacturer declines all liability for damage to persons or property caused by:

- Use of the appliance other than the one envisaged;
- Not having read the user manual;
- Tampering with any part of the appliance;
- Use of non-original spare parts;
- Not following the safety instructions

1.7 Identification plate

The identification plate bears the technical data, serial number and brand name of the appliance. Do not remove the identification plate for any reason.

1.8 Disposal



This appliance must be disposed of separately from other waste (Directives 2012/19/EU, 2011/65/EU). The appliance does not contain substances in quantities sufficient to be considered hazardous to health and the environment, in accordance with current European Directives.

Power voltage. Danger of electrocution

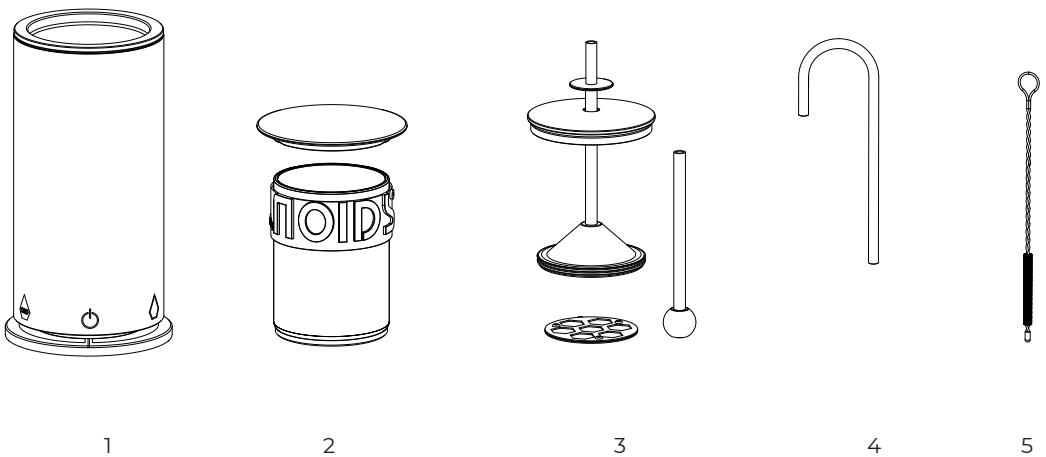
- Disconnect the main power supply.
- Disconnect the power cable from the electrical system.

- Old appliances do not belong in household waste! To comply with current legislation, old appliances, having reached the end of their useful lives, should be taken to a disposal facility where they can be sorted. In this way, any valuable material contained in the old appliances can be recycled and the environment protected. Responsible local authorities or their waste disposal operators can provide further information. The appliance is packed in non-polluting and recyclable materials.
- Dispose of the packing materials at an appropriate disposal facility.
- NOIDS products have achieved zero plastic in packaging by careful and responsible design. Nevertheless, third party logistic might use plastic for delivery. Dispose third party plastic responsibly according to local regulations.

2. Description

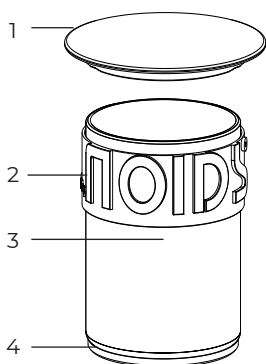


2.1 Product overview



- | | |
|---|---|
| <p>1. Main Body</p> <p>2. Glass Set</p> <p>3. Filter Set</p> <p>4. Condenser</p> <p>5. Brush</p> | <p>integrates the heating element and the Rotary Control</p> <p>a Glass with scale marks and a built-in sensor, a Sleeve for heat insulation, and a Dish Lid</p> <p>a Filter Disc, a Funnel with a Spout, a Support Lid, a Glass pipette and a Lock Ball for collecting every last drop of oil</p> <p>recollects evaporated liquid</p> <p>made of wool, for cleaning narrow parts in the Filter Set</p> |
|---|---|

2.2 Glass Set

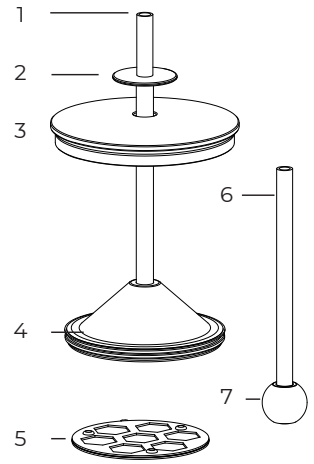


- | | |
|--|---|
| <p>1. Dish Lid</p> <p>2. Sleeve</p> <p>3. Glass</p> <p>4. Sensor Pad</p> | <p>covers the Glass during operation and serves as an evaporation dish when needed</p> <p>seals heat during operation and reduces the risk of burning</p> <p>container with a highly sensitive build-in sensor that monitors the temperature during operation</p> <p>secures the built-in thermal sensor to the Glass</p> |
|--|---|

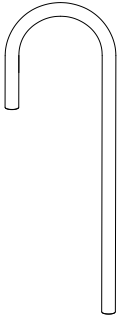


2.3 Filter Set

- 1. Spout** liquid outlet
- 2. Finger Grip** for pressing down and lifting up the Filter Disc
- 3. Support Lid** stabilizes the Filter Set
- 4. Filter Funnel** gathers the oil towards the Spout
- 5. Filter Disc** separates plant material and liquid
- 6. Pipette** collects the last drops of oil
- 7. Lock Ball** secures the Pipette or the Mesh to the Spout



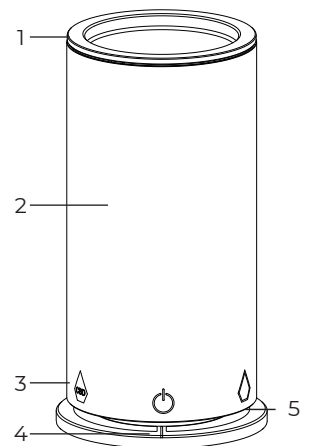
2.4 Condenser



For recollecting evaporated liquid

2.5 Main Body

- 1. Protection Ring** insulates heat
- 2. Rotary Control** for function selection
- 3. Function Mark** specific function
- 4. Base Mark** to align functions
- 5. LED Light** indicates a function is activated



2.6 Functions

The Rotary Control is used to select one of the 5 working functions or the OFF function. Once connected to power, the Point LED Lights up above the Base Mark to show the cooker is connected to power and in standby mode. By simply turning the Rotary Control body, a function circle can be activated.

A function cycle has 2 parts: heating and cooling. Heating is indicated by the breathing green light, and cooling is indicated by the sound of working fan inside the Main Body. Only when the temperature of the heating surface drops to safe temperature (50°C/122 °F), the fan stops working and the function cycle is complete.



OFF function

Cancel or stop any function cycle at any time

CBD Oil

Careful Bio-Decarb Oil function - infuse bio-active compounds into liquid oil using herbs activated by the CBD Decarb function

≈ 3h / 100°C / 212°F

CBD Decarb

Careful Bio-Decarb function - decarboxylate the sensitive medicinal herbs that requires lower temperature and longer time for activation

≈ 1.5h to 2.5h / 110°C / 230°F

Decarb

General Decarb function - decarboxylate herbs

≈ 1.5h to 4h / 115°C / 239°F

Oil

General Oil function - infuse bio-active compounds into liquid oil using herbs activated by the general Decarb function

≈ 2.5h / 100°C / 212°F

Evaporation

Evaporation function - reduce the volume of infused liquid which has a boiling point no higher than 100°C / 212 °F

Max. 5h / 102°C / 215,6°F

2.7 Technical parameters and compliance

Product Name:	All-in-One Herb Cooker
Model No.:	EXT2020
Power:	74W
Volume:	350ml
Input power:	100-240V ~ 50/60Hz
Compliance:	

Part	Material	Standard compliance
Glass Pipette	Borosilicate glass	(EC) No. 1935/2004; LFGB; FDA; CA PROP 65
Dish Lid Sleeve		
Sensor Pad	SUS304 stainless steel	(EC) No. 1935/2004; LFGB
Lock Ball	Silicone	AfPS GS 2019:01 PAK; FDA; CA PROP 65
Filter Funnel		
Filter Disc	SUS316 stainless steel	(EC) No. 1935/2004; LFGB; FDA; CA PROP 65
Brush	SUS304 stainless steel	
	Wool	/



3. Use



ELECTRICAL SHOCK HAZARD



- Do not use an extension cord.
- Failure to follow these instructions can result in electrical shock, fire, or death.

3.1 Before first use

1. Remove the protective materials. Clean the outside and the inner surface of the cooker with a damp cloth. Clean the Glass.



This appliance can be used safely with an input voltage between 110 and 240 V DC and at both 50 Hz or 60 Hz.
During first use some odour may develop.

User hints & tips



- This cooker is designed with optimal temperatures and time duration for the decarboxylation and extraction of medicinal herbs. Infusing dried and ground common kitchen spices with oil may also yield satisfactory outcomes.

3.2 Operation - General

1. If necessary, shorten the cord by wrapping it.
2. Make sure the inner surface of the Main Body and the bottom of the Glass is dry.
3. Place the Main Body on the Base with the Base Mark facing the operator.
4. Plug in the cooker. Wait till the cooker beeps and the Point LED Light is on. The cooker is now in the initial standby mode ready to use.



It doesn't matter which function the Base Mark is aligned to when the cooker is connected to power. You can only activate a chosen function circle by further action of turning the Rotary Control body.

3.3 Operation - CBD Decarb & Decarb

User hints & tips



- Differently prepared and stored plant material have different moisture content and will require different lengths of time to reach the optimal temperature.
- Water vapour may condense on and around the Filter Disc during decarboxylation if the plant material is fresh or with high moisture content. In such case, you can still proceed to Oil functions without drying the plant material or the Glass. The water will evaporate during the Oil function circles.

For best results:

- Break plant material into smaller parts before decarboxylation.

1. Put plant material into the Glass, make sure it doesn't exceed the MAX mark on the Glass.
2. Make sure the Sleeve is positioned in the right place, then cover the Glass with the Dish Lid.



The Glass must be covered in order to achieve the optimal temperature.



Decarb fresh herb: Cover the Glass with the Filter Set to avoid condensation.

3. Place the covered Glass securely in the Main Body and make sure the bottom of the Glass touches the probes.
4. Turn the Rotary Control body, align the chosen Decarb function to the Base Mark.
5. Wait for 3 seconds, you will hear a short beep and see the green light. Now the chosen Decarb function circle is activated.
6. Once the heating is complete, the green light will turn into a white light and the cooker enters cooling phase. You will still hear the sound of fan working during this cooling phase. You can now either remove the Glass from the Main Body and let it cool down at room temperature, or wait till the cooling phase is complete by the cooker.



Pot by NOIDS has carefully designed temperature control with high precision, which ensures that prolonged decarboxylation does no harm to the bioactive compounds in the plant material. So if any adjustment is needed during heating, simply turn the cooker to OFF mode, let the Glass cool down to safe temperature and make the adjustment, then put the Glass back to the Main Body and activate the desired Decarb function again.

3.4 Operation - CBD Oil & Oil

1. Put liquid oil or cooking butter into the Glass with already decarboxylated herb. Make sure that the volume of the total mixture of oil and herb doesn't exceed the MAX mark on the Glass.
2. Cover the Glass properly with the Dish Lid. Make sure the Glass bottom is dry and the Sleeve is positioned at the right place.
3. Place the covered Glass securely in the Main Body, make sure the bottom of the Glass touches the probes.
4. Turn the Rotary Control body, align the chosen Oil function to the Base Mark.
5. Wait for 3 seconds, you will hear beeping sound and see the green light.
Now the Oil function circle is activated.
6. Once the heating is complete, the green light is off and the cooker enters the cooling phase. You will still hear the sound of fan working during this cooling phase. You can now either remove the Glass from the Main Body and let it cool down at room temperature, or wait till the cooling phase is complete by the cooker.



Pot by NOIDS has carefully designed temperature control with high precision, which ensures that prolonged Oil infusion does no harm to the bioactive compounds in the plant material. So if any adjustment is needed during heating, simply turn the cooker to OFF mode, let the Glass cool down to safe temperature and make the adjustment, then put the Glass back to the Main Body and activate the desired Oil function again.

3.5 Operation - Filter the oil

1. Prepare an oil storage container with an opening larger than the diameter of the Spout.
2. Remove the Dish Lid and apply the Filter Set on the Glass.
3. Hold the Glass while pressing the Support Lid securely to the Glass with one hand. Then, turn the Glass upside down and press the Finger Grip with the other hand to squeeze the oil out of the Glass into the container.

User hints & tips

If the herb in the oil is broken into very fine parts, it is advised to apply a piece of filter mesh to the Spout before step 3:



1. Put a piece of filter cloth on the Spout.
2. Secure the mesh to the Spout with the Lock Ball.

3.6 Operation - Gather the remaining oil

1. Once the oil is Filtered out, remove the Filter Set and add warm water into the Glass till all the plant material is submerged into the warm water. Shake the Glass gently till all the remaining oil gathers above the water.
2. Place the Glass on a stable surface and let it rest till the oil forms a clear layer on top of the warm water.
3. Put the Filter Set back in.
4. Attach the Pipette to the Spout with the Lock Ball.
5. Press down the Filter Disc slowly and carefully till the oil enters the Glass Pipette.
6. Close the upper opening of the Pipette with your thumb while removing the Pipette.
7. Release the oil in the Pipette to a container by lifting your thumb.
8. Go back to step 4 till all the remaining oil is gathered.



User hints & tips



Butter and some types of MCT oil tend to mix with water and form emulsion. In such case, the Pipette doesn't work.

3.7 Operation - Evaporation

TOXIC HAZARD



- Do NOT use any non-food-grade ethanol with Evaporation. It may contain impurities that are highly toxic.
- Use ONLY food-grade, non-denatured ethanol with the Evaporation function.

FIRE HAZARD

High volume/proof ethanol can be highly inflammable.



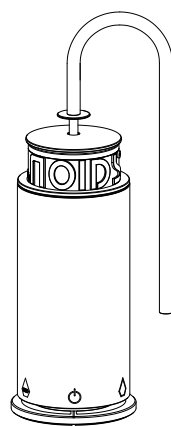
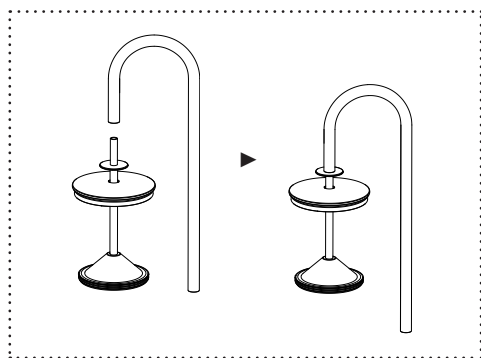
- Do not use Evaporation function in small and closed space. Make sure the space is larger than 50 m³ and there is air exchange between indoor and outdoor.
- Keep the Cooker away from open flame during Evaporation, with a minimum distance of 5 m.

User hints & tips



For best result, use food-grade non-denatured ethanol product with no less than 95% ethanol by volume (≥190 PF).

1. Pour the infused food-grade ethanol into the Glass. Make sure that the volume doesn't exceed the MAX mark on the Glass.
2. Attach the Condenser to the Filter Set, then cover the Glass with the Filter Set.
3. Place the covered Glass securely in the Main Body



4. Turn the Rotary Control body, align the Evaporation function to the Base Mark. Place a liquid container under the outlet of the condenser.
5. Wait for 3 seconds, you will hear a beeping sound and see the green light. Now the Evaporation function is activated.
6. If adjustment is needed during this function cycle, simply turn the Rotary Control to the OFF mode, let the Glass cool down first and then make the adjustment. Once this is done, go back to step 3 and activate the function again.
7. Turn the Rotary Control Body to the OFF mode after desired amount of ethanol is evaporated.
8. Remove the Glass from the Main Body.

User hints & tips

- The evaporation mode will automatically stop once the temperature of the content reaches 102°C / 215.6°F. There is no risk of burning the herbal concentrate with evaporation function.
- The Dish Lid is coated with anti-stick food grade silicon. If the herbal concentrate sticks to the bottom of the Glass in case of total evaporation of the ethanol, simply:



1. add a little bit of ethanol back into the concentrate,
2. stir till the concentrate has dissolved into the added ethanol,
3. pour the diluted concentrate out into the Dish Lid,
4. let the added ethanol evaporate in room temperature, and
5. easily remove the concentrate from the non-stick Dish Lid.



4. Cleaning and care



4.1 Instructions



ELECTRICAL SHOCK HAZARD

Always Disconnect the plug from the socket before cleaning the Main Body of the cooker.

4.2 Cleaning the surface



Hot appliance, BURNS HAZARD

Always leave the appliance and the parts to cool down before cleaning.



Improper use, RISK OF DAMAGE TO SURFACES

- Do not use steam jets for cleaning the appliance.
- Do not use cleaning products containing chlorine, ammonia or bleach on steel parts or parts with metallic finishes (e.g. anodizing, nickel- or chromium-plating).
- Do not use abrasive or corrosive detergents (e.g. powder products, stain removers and metallic sponges).
- Do not use rough or abrasive materials or sharp metal scrapers.

To keep the surfaces in good condition, they should be cleaned regularly after use.

4.3 Ordinary daily cleaning

Always use products that do not contain abrasives or chlorine-based acids. Put the product onto a damp cloth and wipe the surface, then wipe over thoroughly and dry with a soft cloth or a microfiber cloth.

4.4 Food stains or residues

Do not use metallic sponges or sharp scrapers as they will damage the surfaces. Use ordinary non-abrasive products with the aid of wooden or plastic utensils if necessary. Wipe over thoroughly and dry with a soft cloth or a microfiber cloth.

4.5 Cleaning the Glass

The Glass is machine washable.

- **Dishwasher:** The Glass is machine washable. Rinse first and then put the Glass into dishwasher - same as washing a regular glass.
- **Hand wash:** Rinse first with warm water to get rid of residue. Use non-abrasive dish cleaners and non-abrasive cloth or sponge for further cleaning.

4.6 Cleaning the Filter Set

The Filter Set is machine washable. Before washing, remove the Filter Disc from the Filter Funnel.

- **Dishwasher:** Rinse first and then put the Filter Set into dishwasher. Make sure the pipe and pipette are not horizontally placed - same as washing regular kitchen tools.
- **Hand wash:** Rinse first with warm water to get rid of residue. Use non-abrasive dish cleaners and non-abrasive cloth or sponge for further cleaning.



5. Troubleshooting

5.1 Before troubleshooting

Make sure the cooker is properly connected to power and the power is on.

5.2 What to do if ...

	Beep	Light	Cause	Solution
Cooker doesn't turn on:	No beep	No light	Damaged power cord.	Contact NOIDS distributor for replacement. (Visit www.noids.green)
Cooker doesn't work	10 sec.	Blinks	The Glass is not put in the Main Body or the Glass is not touching the bottom sensors in the Main Body properly	Put the Glass in the Main Body, or press the Glass down to touch the probes properly, then restart the function
	10 sec.	No light	The bottom of the Glass is wet	Dry the bottom of the Glass, then restart the function
	No beep	Blinks	Temperature in the Glass is too high - protection against dry heating	Let the Cooker cool down first, then put content in the Glass and restart the function
			Glass is not properly covered and the target temperature can not be reached	Cover the Glass properly and restart the function
			Heating time for evaporation function is too long	Restart the function to continue evaporation
			Thermal sensor malfunction	Restart the function by turning the Rotary Control
30 sec	Blinks	Component defect	Contact NOIDS distributor for repair. (Visit www.noids.green)	

For this User Manuals in other languages, please visit www.noids.green.